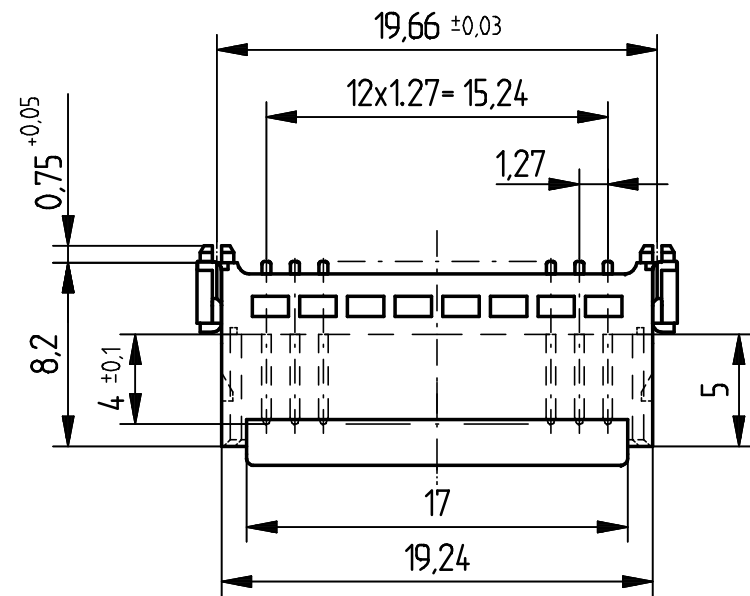
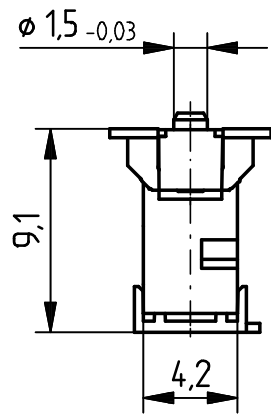
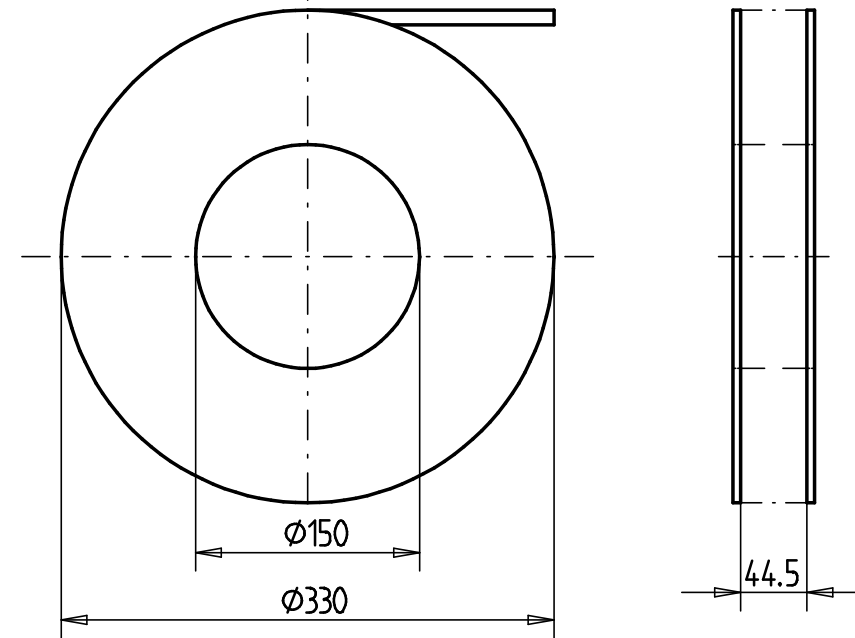
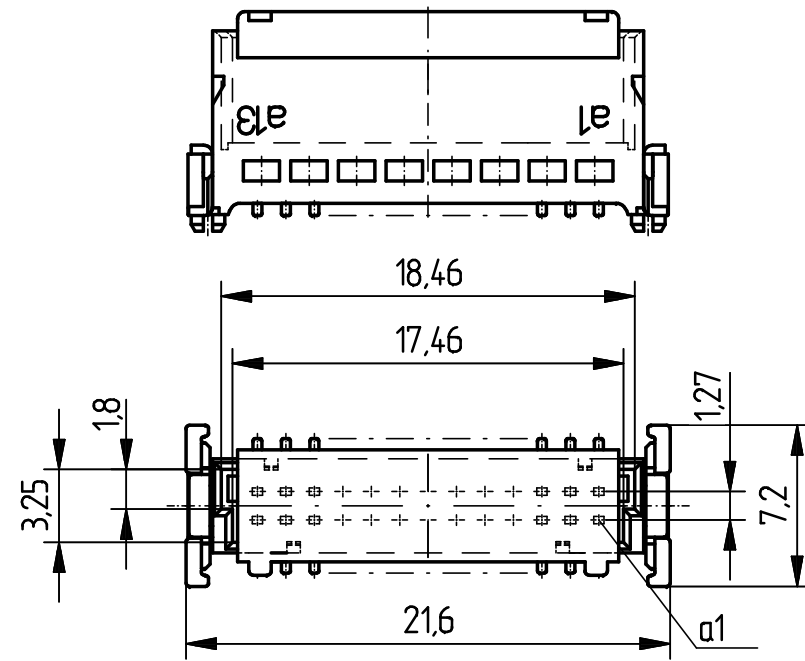
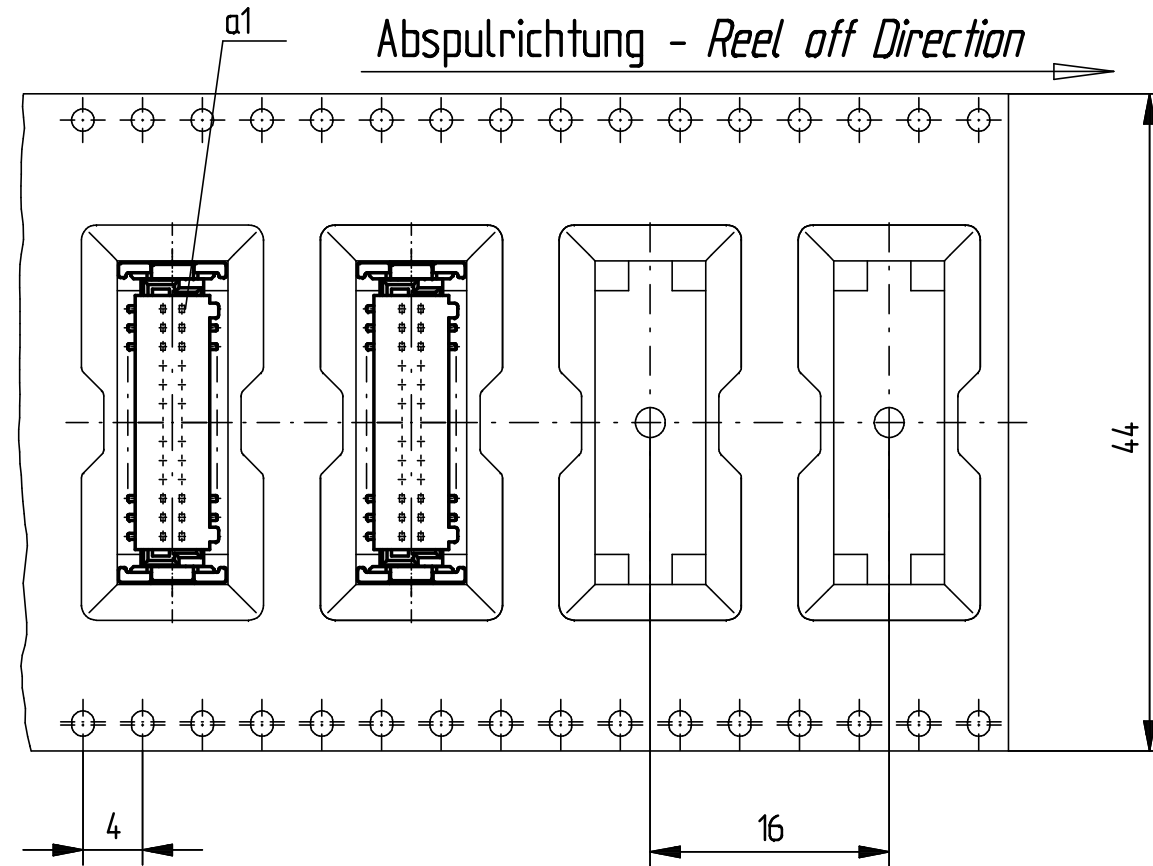
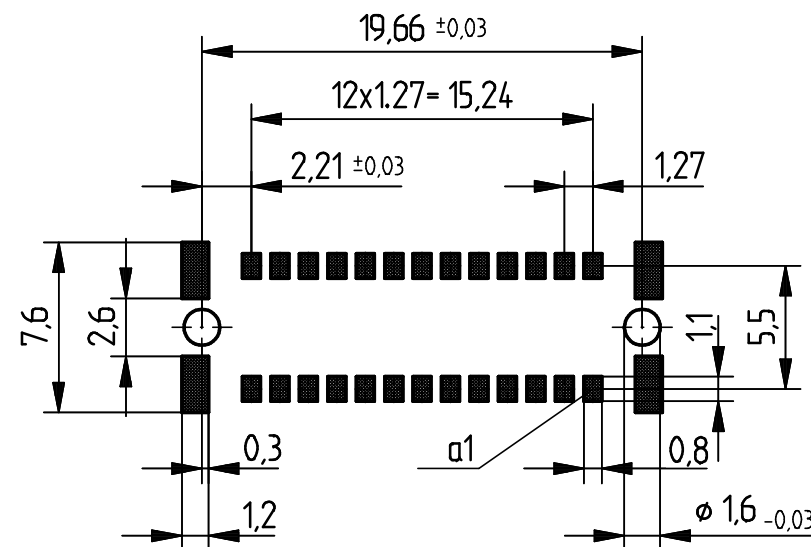


Verpackt in Gurtverpackung - Tape on Reel Packaging  
 Verpackungseinheit: 280 Stück - Packaging unit: 280 pcs



Leiterplatten-Layout Vorschlag für SMT  
 PCB-Layout Proposal for SMT

Anforderungsstufe 1  
 Performance Level 1  
 Kontaktbereich vergoldet  
 Mating Area gold plating  
 Anschlussbereich verzinkt 4-6 µm  
 Terminal Area 4-6 µm tin plating  
 Koplanarität der Anschlüsse ≤ 0.1mm  
 Coplanarity Area of Termination ≤ 0.1 mm



Standard Bauhöhe  
 Standard Assembly Height

Information:  All rights reserved. Only for information. To insure that this is the latest version of this drawing, please contact one of the ERNI companies before using.	Tolerances	 All Dimensions in mm	Scale 3:1
	Subject to modification without prior notice. Drawing will not be updated.		Designation Messerleiste SMC-Q, 26 polig Male Conn. SMC-Q, 26 contacts
ERNI www.ERNI.com		100400280001	
e	22.01.2008		
Index	Date	M:00067552.SZA	SMCQ

Consider protection memo from DIN 34